

UM0-200

OMG

certified uml professional intermediate

Visit: <http://www.pass4sureofficial.com/exams.asp?examcode=UM0-200>

Pass4sureofficial.com is a reputable IT certification examination guide, study guides and audio exam provider, we not only ensure that you pass your UM0-200 exam in first attempt, but also you can get a high score to acquire OMG certification.

If you use pass4sureofficial UM0-200 Certification questions and answers, you will experience actual UM0-200 exam questions/answers. We know exactly what is needed and have all the exam preparation material required to pass the exam. Our OMG exam prep covers over 95% of the questions and answers that may be appeared in your UM0-200 exam. Every point from pass4sure UM0-200 PDF, UM0-200 review will help you take OMG UM0-200 exam much easier and become OMG certified. All the Questions/Answers are taken from real exams.

Here's what you can expect from the Pass4sureOfficial OMG UM0-200 course:

- * Up-to-Date OMG UM0-200 questions taken from the real exam.
- * 100% correct OMG UM0-200 answers you simply can't find in other UM0-200 courses.
- * All of our tests are easy to download. Your file will be saved as a UM0-200 PDF.
- * OMG UM0-200 brain dump free content featuring the real UM0-200 test questions.

OMG UM0-200 certification exam is of core importance both in your Professional life and OMG certification path. With OMG certification you can get a good job easily in the market and get on your path for success. Professionals who passed OMG UM0-200 exam training are an absolute favorite in the industry. You will pass OMG UM0-200 certification test and career opportunities will be open for you.



Question: 1

To what does an internal structure of a class refer?

- A - the inheritance structure of that class
- B - the set of nested classifiers of that class
- C - the set of structural features of that class
- D - class and associations owned by that class
- F - the decomposition of that class in terms of interconnected parts

Answer: E

Question: 2

What statements are true about a composite structure? (Choose two)

- A - Collaborations are structured classifiers.
- B - A structured classifier is also an encapsulated classifier.
- C - Structured classifiers cannot contain instances of structured classifiers.
- D - Destroying an instance of a structured classifier normally destroys instances of its parts.
- E - The behavior of a structured classifier must be completely defined through the collaboration of owned or referenced instances.

Answer: A, D

Question: 3

An encapsulated classifier is characterized by which fact?

- A - has an encapsulation shell
- B - can own one or more ports
- C - hides information from other classifiers
- D - acts as a package and can own one or more classifiers

Answer: B

Question: 4

What interface restrictions does a port have?

- A - multiple required interfaces or multiple provided interfaces
- B - multiple provided interfaces and multiple required interfaces
- C - equal numbers of provided interfaces and required interfaces
- D - exactly one provided interface or exactly one required interface
- F - exactly one required interface and exactly one provided interface

Answer: B

Question: 5

What is an invocation action on a port used for?

- A - sending a message to that port
- B - receiving a message on that port
- C - creating a link and attach it to that port
- D - relaying the invocation via links connected to that port
- E - invoking the behavior of the classifier that owns the port

Answer: D

Question: 6

What is NOT a purpose of a port owned by a classifier?

- A - serves as an end point for connectors
- B - specifies an association to the classifier
- C - hides the internals of that classifier from other classifiers
- D - provides a distinct point of interaction between the classifier and its environment

Answer: B

Question: 7

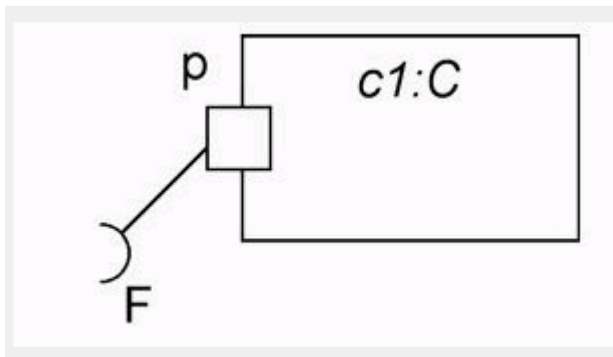
Which is true of a provided interface associated with a port?

- A. represents an interface that must be defined within the classifier that owns the port
- B. identifies the services that the object owning the port expects of objects connected via that port
- C. identifies the services that the object owning the port can offer to other objects connected via that port
- D. represents an interface that must be defined in the same package in which the classifier owning the port is defined

Answer: C

Question: 8

What does the composite structure notation in the exhibit mean?



- A. Class C has internal structure.
- B. Object c1 is a kind of component.
- C. Port p is connected to an object called F.
- D. Port p realizes the features defined by interface F.
- E. Port p requires the features defined by interface F.

Answer: E

Question: 9

Which list contains only connectable elements?

- A - port and connector end
- B - behavior, port and property
- C - connector end, port and part
- D - property, port, and parameter
- E - behavior, connector end, and port

Answer: D

Question: 10

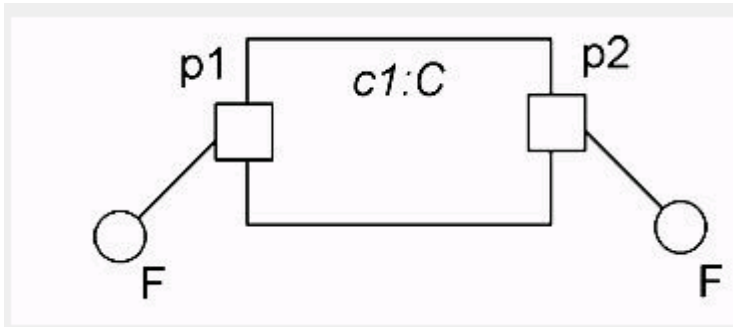
What is NOT true about a roles and role bindings?

- A. A role binding is an association.
- B. The same object may play roles in multiple collaborations.
- C. A role binding maps a connectable element to a role in a collaboration occurrence.
- D. The same connectable element may be bound to multiple roles in a single collaboration occurrence
- E. A role typed by an interface specifies a set of features required by a participant in a collaboration

Answer: A

Question: 11

What does the composite structure exhibit show?

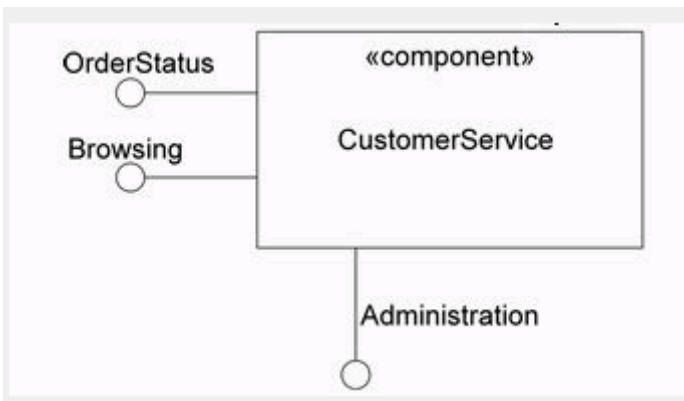


- A. The diagram is not valid.
- B. The two F interfaces must come from different packages.
- C. Requests for behavioral features of interface F through ports p1 and p2 can be distinguished.
- D. Requests for behavioral features of interface F through ports p1 and p2 will always result in the same behavior

Answer: C

Question: 12

Refer to the exhibit.



Pass4SureOfficial.com Lifetime Membership Features;

- Pass4SureOfficial Lifetime Membership Package includes over **2500** Exams.
- **All** exams Questions and Answers are included in package.
- **All** Audio Guides are included **free** in package.
- **All** Study Guides are included **free** in package.
- **Lifetime** login access.
- Unlimited download, no account expiry, no hidden charges, just one time \$99 payment.
- **Free updates** for Lifetime.
- **Free Download Access** to All new exams added in future.
- Accurate answers with explanations (If applicable).
- Verified answers researched by industry experts.
- Study Material **updated** on regular basis.
- Questions, Answers and Study Guides are downloadable in **PDF** format.
- Audio Exams are downloadable in **MP3** format.
- **No authorization** code required to open exam.
- **Portable** anywhere.
- 100% success **Guarantee**.
- **Fast**, helpful support 24x7.

View list of All exams (Q&A) downloads

<http://www.pass4sureofficial.com/allexams.asp>

View list of All Study Guides (SG) downloads

<http://www.pass4sureofficial.com/study-guides.asp>

View list of All Audio Exams (AE) downloads

<http://www.pass4sureofficial.com/audio-exams.asp>

Download All Exams Samples

<http://www.pass4sureofficial.com/samples.asp>

To purchase \$99 Lifetime Full Access Membership click here

<http://www.pass4sureofficial.com/purchase.asp>

3COM	CompTIA	Filemaker	IBM	LPI	OMG	Sun
ADOBE	ComputerAssociates	Fortinet	IISFA	McAfee	Oracle	Sybase
APC	CWNP	Foundry	Intel	McData	PMI	Symantec
Apple	DELL	Fujitsu	ISACA	Microsoft	Polycom	TeraData
BEA	ECCouncil	GuidanceSoftware	ISC2	Mile2	RedHat	TIA
BICSI	EMC	HDI	ISEB	NetworkAppliance	Sair	Tibco
CheckPoint	Enterasys	Hitachi	ISM	Network-General	SASInstitute	TruSecure
Cisco	ExamExpress	HP	Juniper	Nokia	SCP	Veritas
Citrix	Exin	Huawei	Legato	Nortel	See-Beyond	Vmware
CIW	ExtremeNetworks	Hyperion	Lotus	Novell	SNIA	

